



# LIGHT & ENERGY

## TF II9 Y



### CHARACTERISTICS

- Zinc plated telescopic mast
- Safety valve for lowering the tower in case of hydraulic system failure
- Engine protection EP6
- Bunded base
- Spark arrestor
- Super silenced
- Single point lifting eye and forklift pockets
- Switch for external power supply



### TRANSPORT



	BASE ASSEMBLY WITH STABILISERS	FAST TOW HIGHWAY TRAILER (HOMOLOGATED)	SITE TOW TRAILER
TRUCK 13.60 m	11 towers	5 towers	11 towers
CONTAINER 12 m	10 towers	4 towers	10 towers
CONTAINER 5 m	5 towers	2 towers	5 towers

### VERSIONS ON REQUEST

- Base Assembly with Stabilisers
- Fast Tow Highway Trailer (Homologated)
- Site Tow Trailer

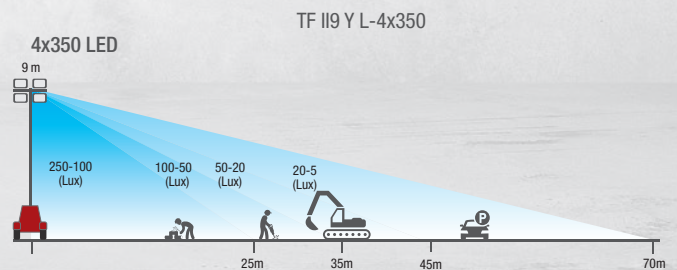
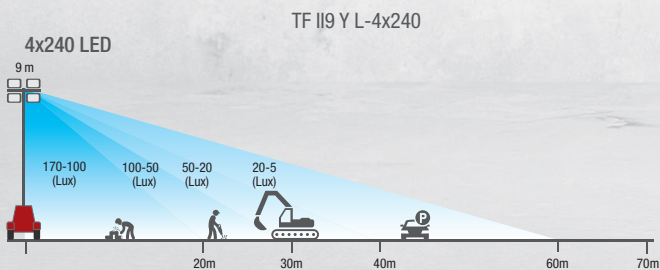
### AVAILABLE LAMPS

- TFII9 Y L-4x240: 4 LED
- TFII9 Y L-4x350: 4 LED

### OPTIONS ON REQUEST

- SCHUKO Sockets 16A/ 230V

### GRAPHICS LIGHTING



# TECHNICAL DATA

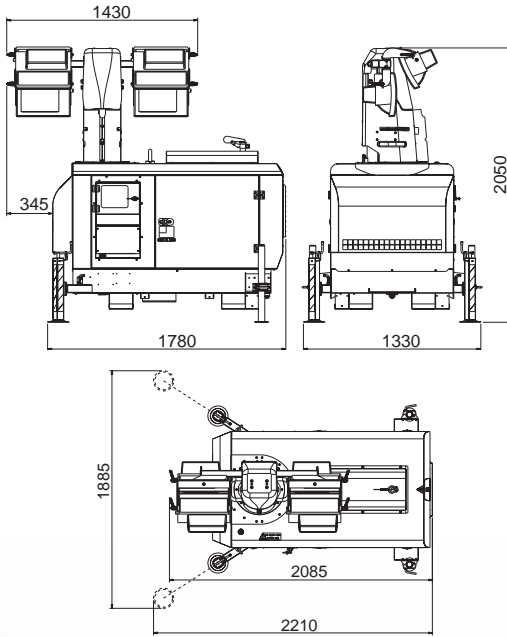
LIGHTS AND MAST				
LAMP TYPE:	4 x 240 W – LED	4 x 350 W – LED	4 x 240 W – LED	4 x 350 W – LED
ILLUMINATED AREA	4800 mq	4800 mq	4800 mq	4800 mq
AVERAGE LUX	21	30	21	30
TOTAL LUMENS	153600	210000	153600	210000
MAST ROTATION:	340° - MANUAL			
MAST:	TELESCOPIC - HYDRAULIC			
GENERAL CHARACTERISTICS				
WIND LOAD STABILITY:	UP TO 80 km/h			
TANK CAPACITY:	110 l			
RUNNING TIME:	230 h (LIGHTS LOAD ONLY)	158 h (LIGHTS LOAD ONLY)	230 h (LIGHTS LOAD ONLY)	158 h (LIGHTS LOAD ONLY)
IP PROTECTION:	IP 44			
ACOUSTIC POWER:	LwA = 90 dBA LpA = 65 dBA @ 7 m			
STABILIZERS:	4 (2 ADJUSTABLE)			
WEIGHT (DRY)				
BASE ASSEMBLY WITH STABILISERS	885 kg	895 kg	850 kg	860 kg
SITE TOW TRAILER	975 kg	985 kg	940 kg	950 kg
FAST TOW HIGHWAY TRAILER (HOMOLOGATED)	1070 kg	1080 kg	1040 kg	1050 kg
TYRES				
SITE TOW TRAILER	2 x 185 / 65 R 14			
FAST TOW HIGHWAY TRAILER (HOMOLOGATED)	2 x 195 / 50 R 13			
ENGINE - WATER COOLING				
MODEL:	YANMAR 3TNV80 (Stage V)		KOHLER KDW 1003 (STAGE V)	
NET POWER (ST-BY / PRP):	9 kW / 8.2 kW @ 1500 rpm		8.5 kW / 7.7 kW @ 1500 rpm	
CYLINDERS / DISPLACEMENT:	3 / 1267 cm <sup>3</sup>		3 / 1028 cm <sup>3</sup>	
FUEL CONSUMPTION:	0.48 l / h (LIGHTS LOAD ONLY); 2.4 l / h (PRP)	0.6 l / h (LIGHTS LOAD ONLY); 2.4 l / h (PRP)	0.48 l / h (LIGHTS LOAD ONLY); 2.4 l / h (PRP)	0.7 l / h (LIGHTS LOAD ONLY); 2.4 l / h (PRP)
BATTERY:	12V - 45 Ah			
GENERATOR				
ALTERNATOR:	LINZ E1C13SC/4 - 8 kVA, SINGLE PHASE, SYNCHRONOUS, BRUSHLESS, 4 POLES PF = 0.9 ISOLATION CLASS = H			
OUTPUT POWER:	6.5 kVA / 230V / 28.3A 50 Hz 1x32A / 230V 2P+T CEE 1x16A / 230V 2P+T CEE	6.1 kVA / 230V / 26.5A 50 Hz 1x32A / 230V 2P+T CEE 1x16A / 230V 2P+T CEE	6.5 kVA / 230V / 28.3A 50 Hz 1x32A / 230V 2P+T CEE 1x16A / 230V 2P+T CEE	6.1 kVA / 230V / 26.5A 50 Hz 1x32A / 230V 2P+T CEE 1x16A / 230V 2P+T CEE
CONTROL PANEL				
EP6 CONTROLLER FUNCTIONS:	High temperature engine shut down; Low oil pressure shut down; Overspeed shut down; Battery charge failure shut down; Delayed (5 min.) low fuel shut down; Overvoltage shut down; Battery over / undervoltage alarm.			
• STARTER KEY				
• AUTOSTART				
• PROTECTIONS AND ALARMS:				
• MEASUREMENTS:	Hourmeter; r.p.m. meter; battery charge alternator voltage; Battery voltage; generator voltage; generator current; generator frequency.			
FUEL LEVEL GAUGE				
EMERGENCY STOP BUTTON				
SIREN				
GENERAL PROTECTION CIRCUIT BREAKER				
OUTPUT SOCKET PROTECTION CIRCUIT BREAKER				
INDIVIDUAL CIRCUIT BREAKER SWITCHES FOR THE LAMPS				
MAST UP / DOWN PUSH BUTTONS				
1 SOCKET 230V / 16A 2P+T CEE (for version J-4x1000)				
1 SOCKET 230V / 32A 2P+T CEE + 1 SOCKET 230V / 16A 2P+T CEE (for version LED version)				



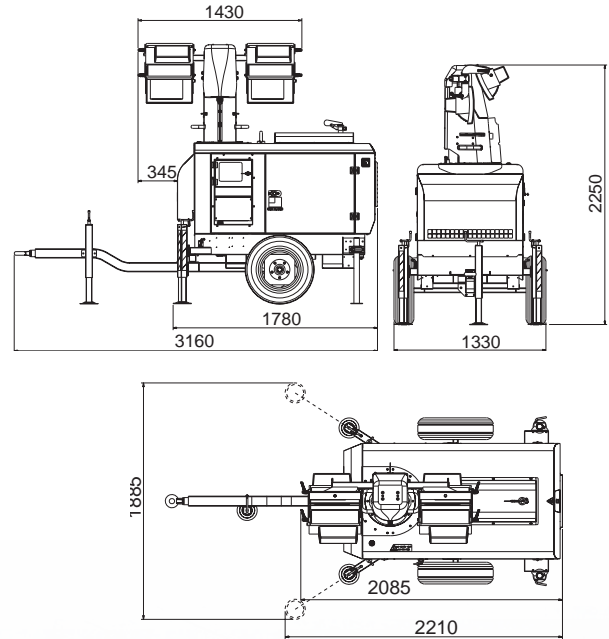
# DIMENSIONS

DESIGNING DIMENSIONS IN SI UNITS OR IN SI UNITS FOR DIMENSIONS IN INCHES

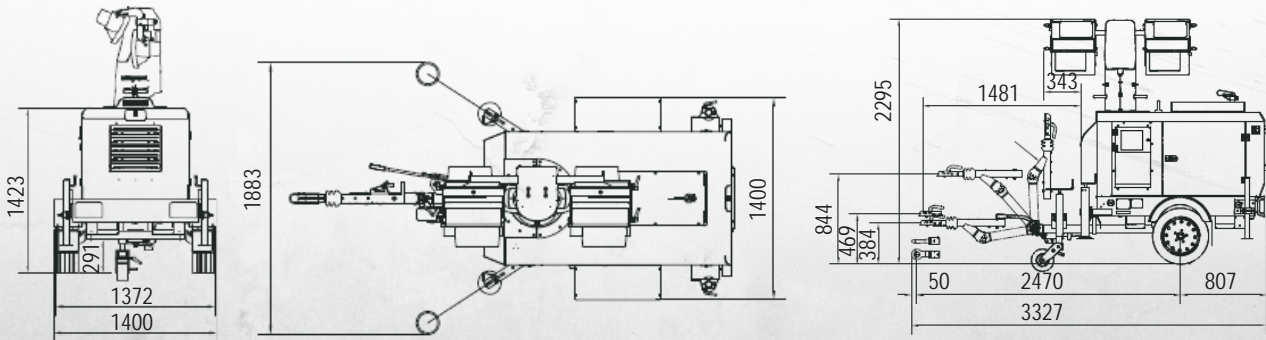
TF II9 Y BASE



TF II9 Y WITH CTL



TF II9 Y WITH CTV



## GENERAL INFORMATION

### COMPLIANCE GENERATING SETS WITH EC DIRECTIVES AND STANDARDS

- 2006/42 / EC (Machinery Directive)
- 2014/35 / UE (Low Voltage Directive)
- 2014/30 / UE (Electromagnetic Compatibility Directive)
- IEC-EN 60974-1 Arc welding equipment - Welding power sources
- IEC-EN 60974-10 Arc welding equipment - Electromagnetic compatibility (EMC) requirements



ISO 9001:2015 - Cert. 0192

### WARRANTY

All devices are covered by the manufacturer's warranty.

Non-contractual document. Specification subject to change without notice.

© MOSA - Viale Europa, 59 - 20090 Cusago (Milano) - Italy - phone +39-0290352.1 - fax + 39-0290390466 E-mail: info@mosa.it Web site: www.mosa.it

